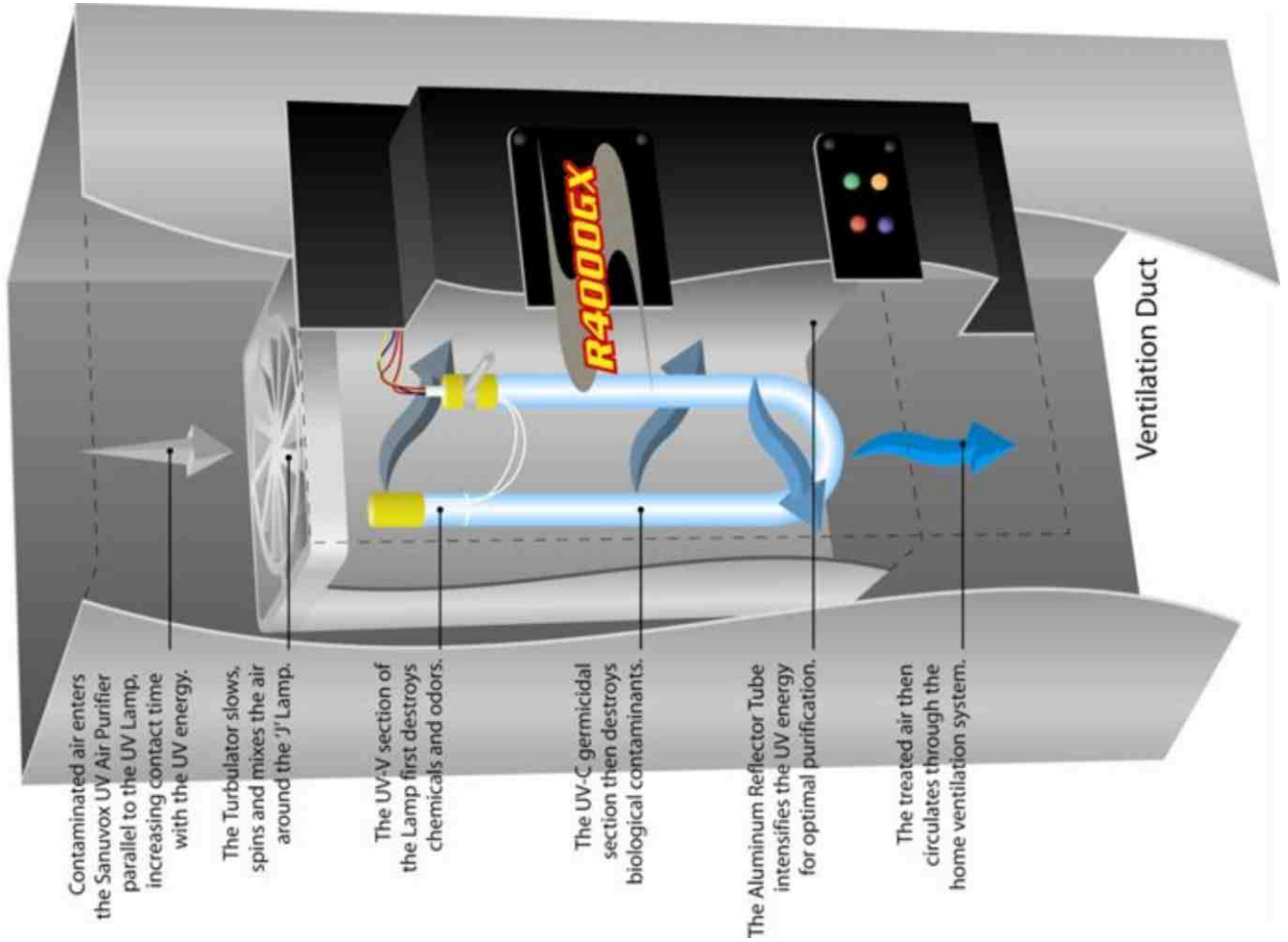
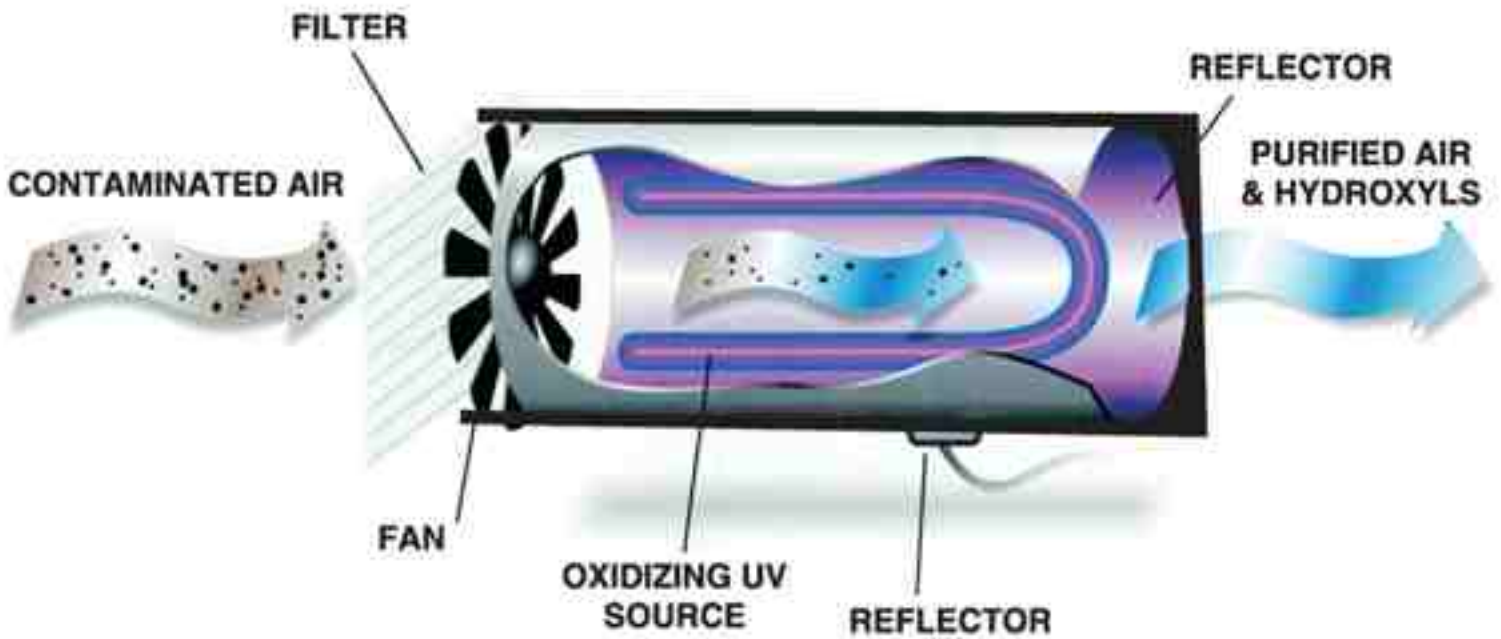


# SANUVOX



# ODOROX



# ODOROX

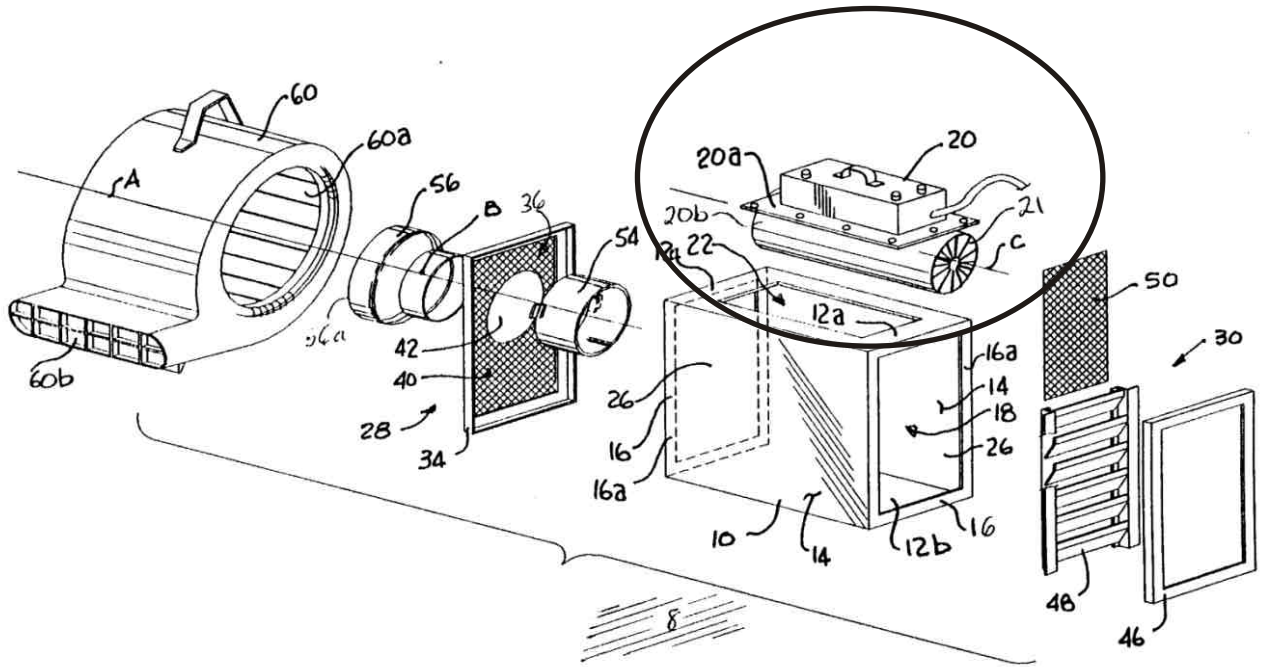


Fig 1

# SANUVOX

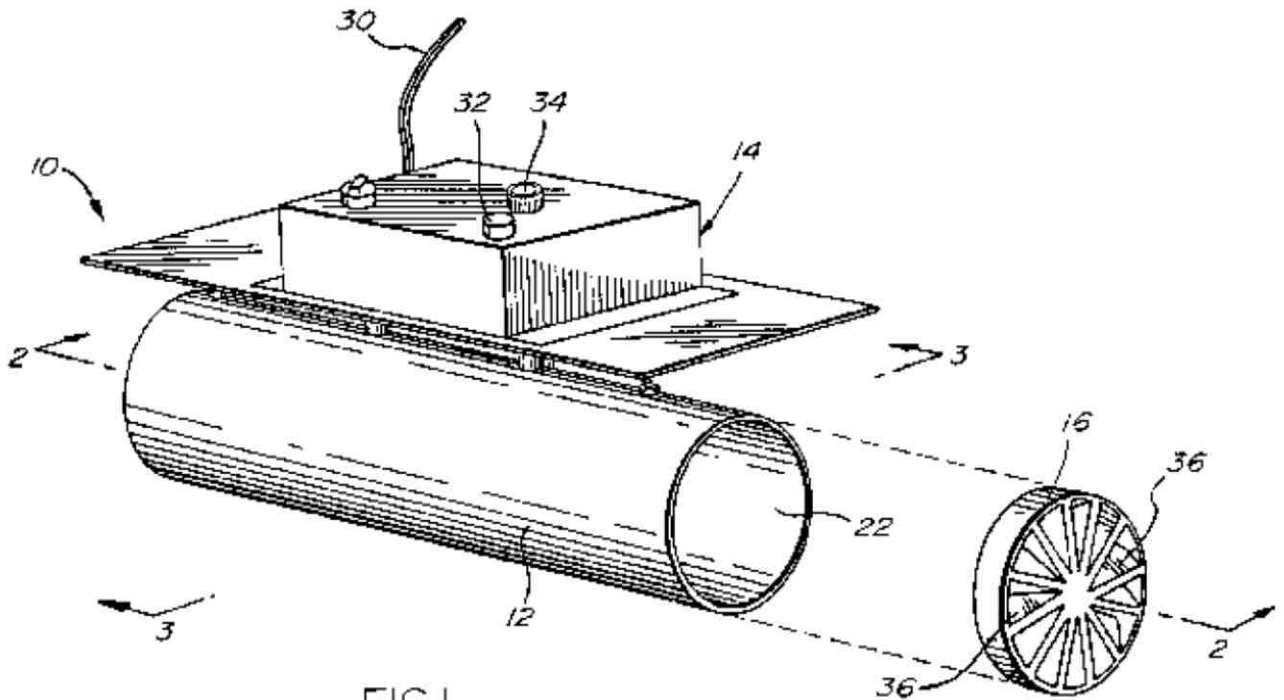
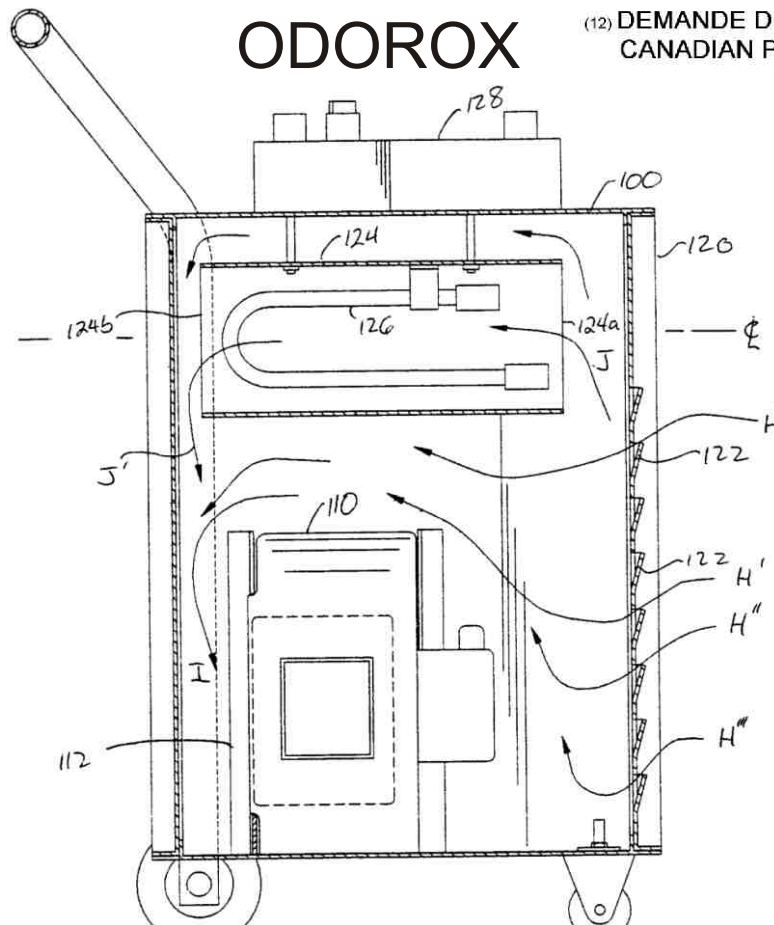


FIG. 1

# ODOROX



# SANUVOX

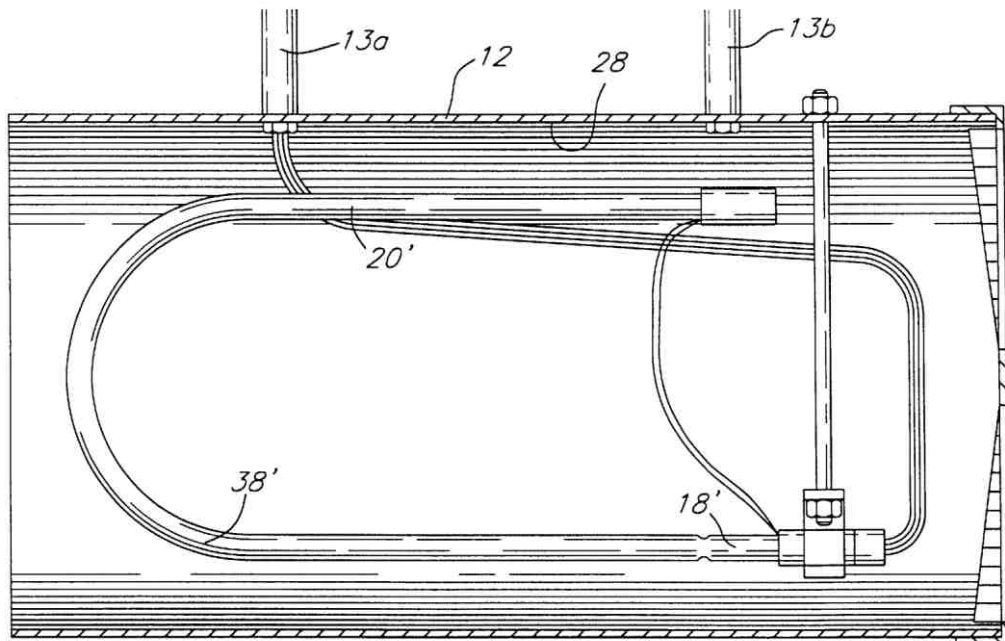


FIG.6